

Materialprüfungsamt Nordrhein-Westfalen - 44285 Dortmund

dormakaba Deutschland GmbH
DORMA Platz 1
58256 Ennepetal, Germany

Ihr Zeichen: PS
Ihre Nachricht vom :
Unser Zeichen: Mei
Durchwahl: 493
Direktfax: +49 (0)231 4502 586
E-Mail: meinks@mpanrw.de
Datum: 24.01.2017

Extension of validity of a test certificate.

Dear Ladies and Gentleman,

Concerning the results of the initial type test carried out with the controlled door closing device DORMA TS 92 B/G EN 1-4 you applied for the extension of validity of test certificate no. 120001226.90-02.

The tests have been carried out on the base of the EN 1154:1996/A1:2002/AC:2006 (see test report no. 120001226.90-01).

You have also assured that the door closer was not modified since the initial type test.

Therefore the validity of the test certificate no. 120001226.90-02 is extended up to January, 1st 2022.

Best regards
By order



Th. Meinks
Technischer Amtsinspektor

Hausanschrift
Marsbruchstraße 186
D-44287 Dortmund
Telefon (0231) 45 02-0
Telefax (0231) 45 85 49
E-Mail: info@mpanrw.de

Bahnstation: Dortmund-Hbf.
Telegramme: prüfamt Dortmund
Öffentliche Verkehrsmittel
Stadtbahn U47 ab Hbf.
Richtung Aplerbeck
bis „Allerstraße“

Außenstelle Erwitte
Auf den Thränen
D-59597 Erwitte
Telefon (0 29 43) 897-0
Telefax (0 29 43) 897-33
E-Mail: info@mpanrw.de

Bankverbindungen
Landeszentralbank Dortmund
(BLZ 440 000 00)
Kto. 440 018 15
Ust.-IdNr.: DE 124 728 648

Test Certificate No. 120001226.90-02

1st Copy

Contracting Party

DORMA GmbH & Co. KG
DORMA Platz 1
D-58256 Ennepetal

Date of order:

13.07.2011

Date of test:

14.07.2011 to
07.12.2011

Assignment

Testing of controlled door closing devices (door closer) in accordance with DIN EN 1154: 2003-04. The tests are to be including the additional requirements according to annex A of DIN EN 1154.

Description of Samples

Overhead door closer with hydraulic damping, adjustable closing force and sliding rail.

Description of the Test and Test Results

See test report No. 120001226.90-01.

Evaluation of the Test Results

The following door closers fulfil the requirements of the DIN EN 1154.

Fixing corresponding with appendix 1 to 3.

They are classified as follows in accordance with sec. 4 of DIN EN 1154:

Product	Installation	Classification key					
		4	8	4	1	1	3
DORMA TS 92 B EN 1-4	Standard installation on the pull side of the door	4	8	4 1	1	1	3
DORMA TS 92 G EN 1-4	Installation on the door on the push side of the door	3 ^{*1)}	8	4 1	1	1	3
DORMA TS 92 G EN 1-4	Installation on the frame on the pull side of the door	4	8	4 1	1	1	3

*1) opening limitation is required.

Dortmund, January 9th 2012

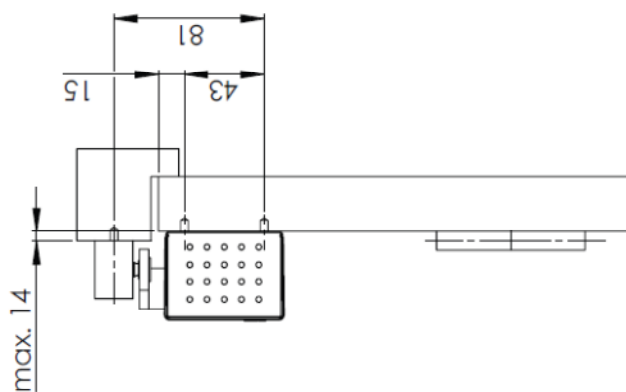
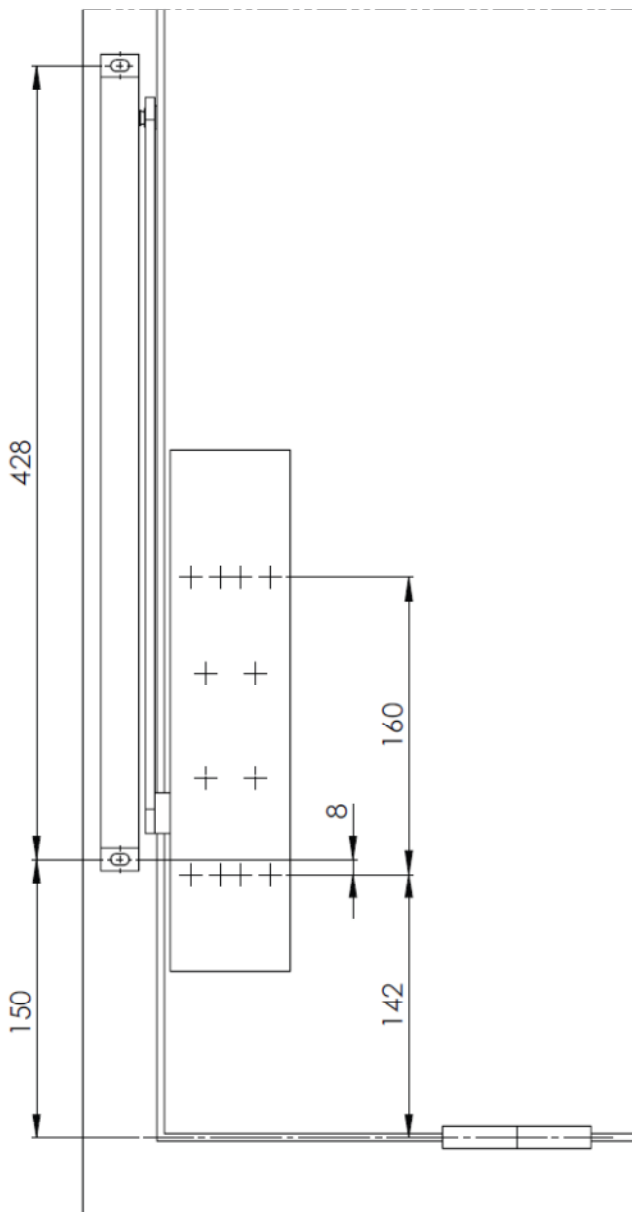
By order



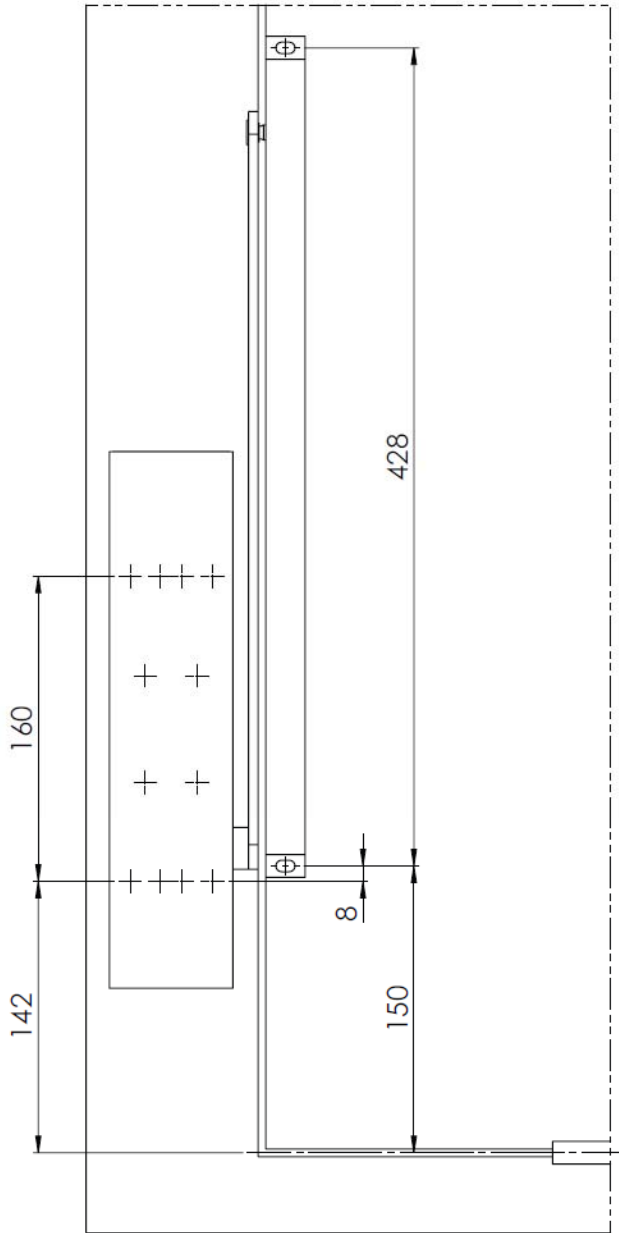
H. Jansen
Head of the test Laboratory



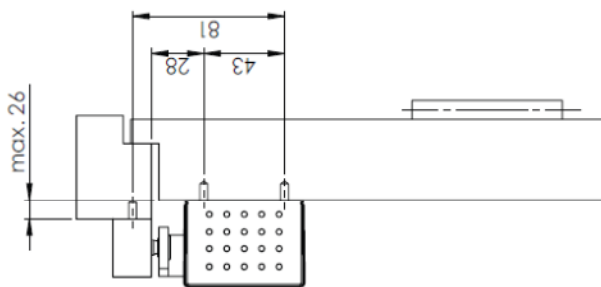
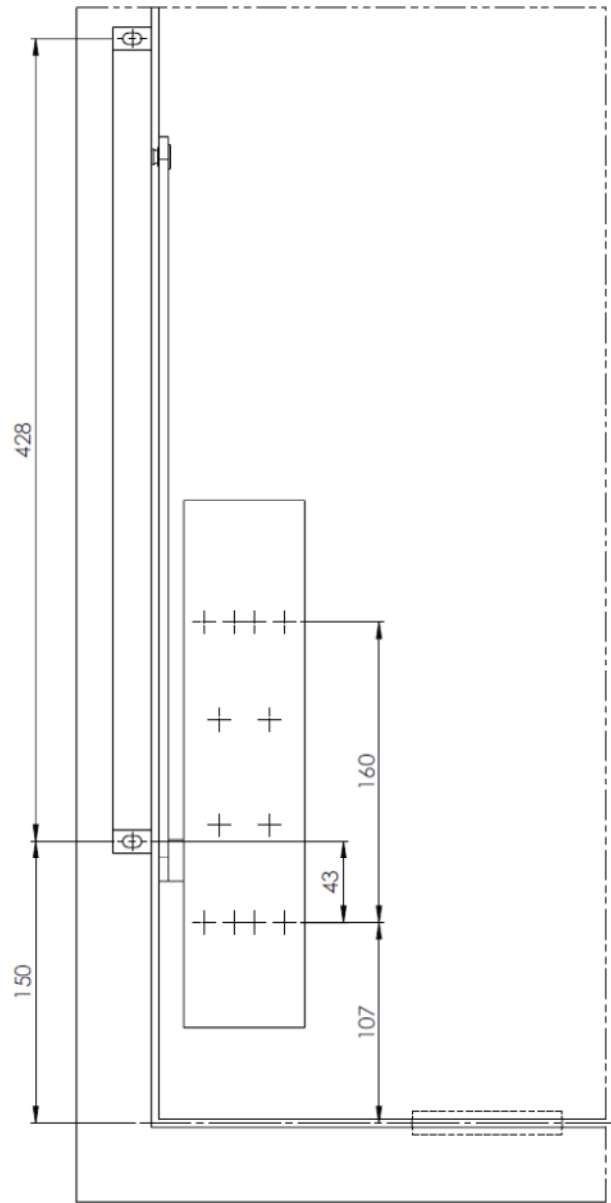

Th. Meinks
Technischer Amtsinspektor



Obentürschließer DORMA TS92 B EN 1-4	
Overhead door closer with slide channel	
Türblattmontage Bandseite	
Door leaf fixing on the hinge side (pull side)	

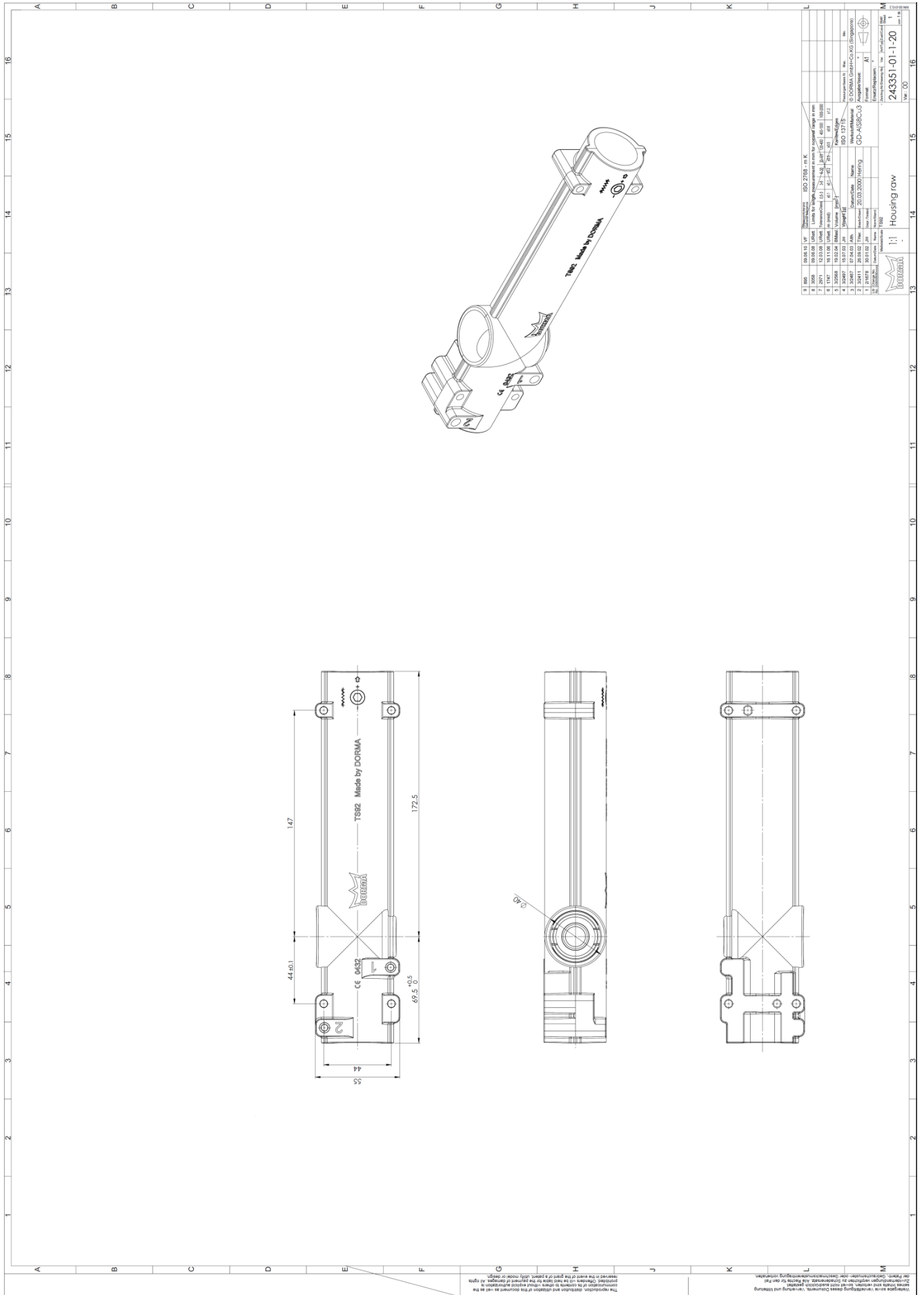


Obentürschließer DORMA TS92 G EN 1-4	
Overhead door closer with slide channel	
Kopfmontage Bandseite	
Frame fixing (pull side)	



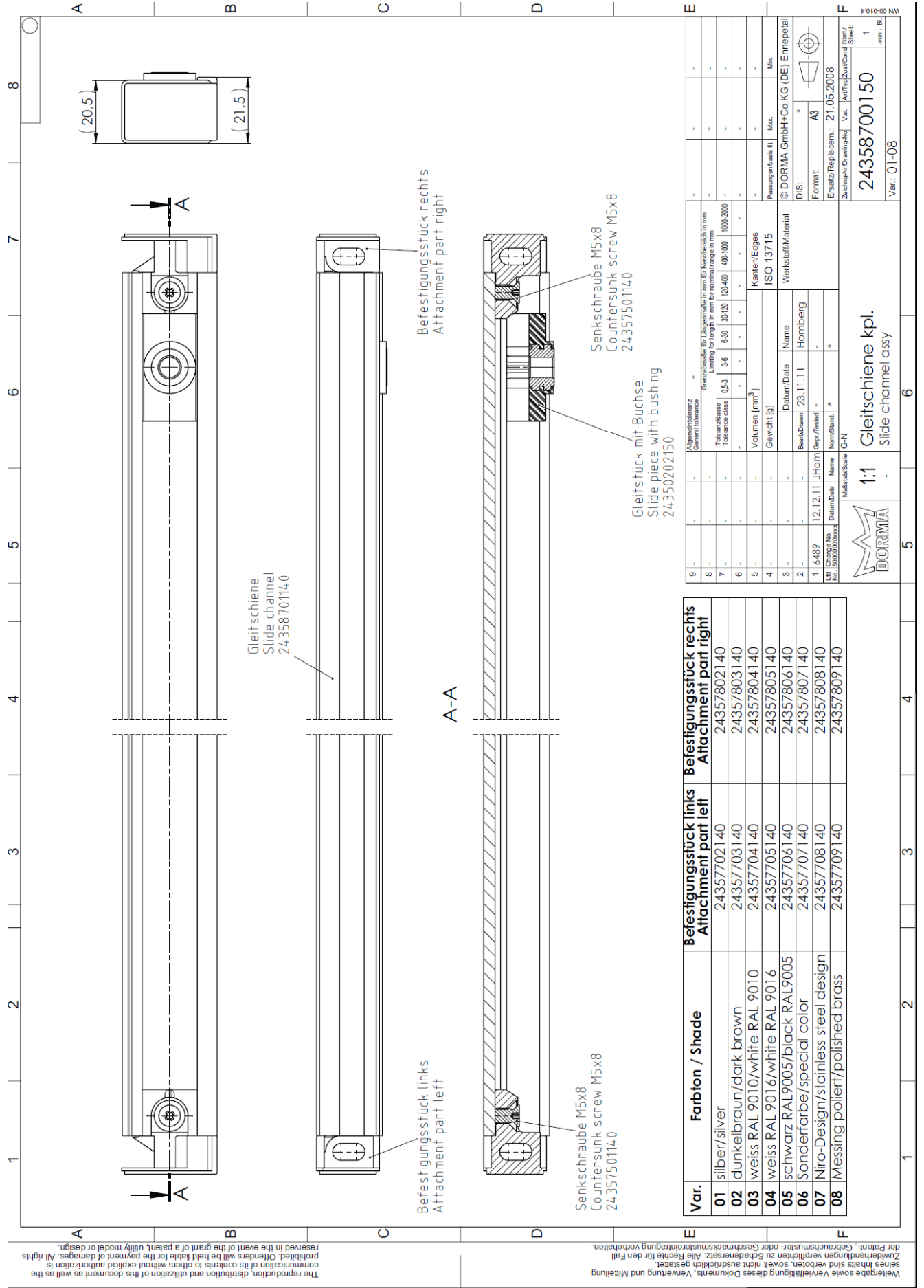
Obentürschließer DORMA TS92 G EN 1-4
 Overhead door closer with slide channel

Türblattmontage Bandgegenseite
 Door leaf fixing (push side)



Test certificate No. 120001226.90-02 from January 9th 2012

Appendix 6 of 6



9		Aggregatnummer General Unit Number	-															
8		Grenzmaß für Längemaße in mm / Limiting for length in mm for nominal range in mm	-															
7		Toleranzklasse Tolerance class	0.5-3	3-6	6-30	30-120	120-400	400-1000	1000-2000									
6																		
5		Volumen [mm ³] Gewicht [g]	-							Kanten/Edges ISO 13715								
4		Datum/Date								Werkstoff/Material								
3		Bezeichnung Name								Hornberg								
2		Jahr/Year																
1		Datum/Date	12.12.11	J.Horn														
Nr.		Name																
Nr.		Norm/Symbol																
Nr.		Maßstab/Scale								G-N								
F		Ersatz/Replacem.																
F		Zuehng-Nr./Drawing-Nr.																
F		Format																
F		© DORMA GmbH/Co.KG (DE) Emmerthal																
F		Passgen./basis ft.																
F		Min.																
F		Max.																
F		DIS:	*	A3														
F		Formel																
F		Erstz/Replacem.																
F		Zuehng-Nr./Drawing-Nr.																
F		Var. / Art./Typ./Zust./Cond.																
F		Blatt / Sheet																
F		24358700150																
F		Var.: 01-08																

Var.	Farbton / Shade	Befestigungsstück links Attachment part left	Befestigungsstück rechts Attachment part right
01	silber/silver	24357702140	24357802140
02	dunkelbraun/dark brown	24357703140	24357803140
03	weiss RAL 9010/white RAL 9010	24357704140	24357804140
04	weiss RAL 9016/white RAL 9016	24357705140	24357805140
05	schwarz RAL9005/black RAL9005	24357706140	24357806140
06	Sonderfarbe/special color	24357707140	24357807140
07	Niro-Design/stainless steel design	24357708140	24357808140
08	Messing poliert/polished brass	24357709140	24357809140

The reproduction, distribution and utilization of this document as well as the communication of its contents to others without explicit authorization is prohibited. Offenders will be held liable for the payment of damages. All rights reserved in the event of the grant of a patent, utility model or design.
 Weitergabe sowie Vervielfältigung dieses Dokuments, Verwertung und Mitteilung seiner Inhalte sind verboden, soweit nicht ausdrücklich gestattet.
 Zuwiderhandlungen verpflichten zu Schadenersatz. Alle Rechte für den Fall der Patent-, Gebrauchsmuster- oder Geschmacksmusterertragung vorbehalten.